



DELRAY / FROM MINIMALIST TO INDULGENCE

# DELRAY

SQUARE

## CONTEMPORARY & TRADITIONAL

### DELRAY FULL LOAD SQUARE

### DELRAY BASIC SQUARE

DRSQ34  
DRSQ34-2  
DRSQ38  
DRSQ38-2

SINGLE SIDED  
DIRECT VENT

#### Standard

- Concealed universal burner
- Multi-function remote
- Remote Hi-Lo flame control
- Remote controlled fans
- Micro mesh safety screen
- Battery backup
- Halogen downlighting

#### Options

- Heat management
- Adjustable trim kits
- Traditional logsets
- Contemporary scenes
- Traditional and contemporary liners
- Propane conversion kit
- Speckled stones, glass media
- WiFi phone app control

#### Standard

- Concealed universal burner
- Manual Hi-Lo flame control

#### Options

- Heat management
- Adjustable trim kits
- Remote control
- Fans
- Micro mesh safety screen
- Traditional and contemporary liners
- Propane conversion kit
- Battery backup
- Traditional logsets
- Contemporary scenes
- Speckled stones, glass media



#### QUICK DIMENSIONS

	DRSQ34		DRSQ38	
	UNIT	FRAM.	UNIT	FRAM.
F.WIDTH	34	36	38	40
B.WIDTH	15 <sup>3</sup> / <sub>8</sub>	36	20 <sup>3</sup> / <sub>8</sub>	40
HEIGHT	33 <sup>1</sup> / <sub>2</sub>	40 <sup>1</sup> / <sub>2</sub>	38	44 <sup>7</sup> / <sub>16</sub>
DEPTH	16 <sup>1</sup> / <sub>2</sub>	18	16 <sup>1</sup> / <sub>2</sub>	18
VIEWING	29 <sup>11</sup> / <sub>16</sub> X 18 <sup>7</sup> / <sub>8</sub>		33 <sup>11</sup> / <sub>16</sub> X 22 <sup>7</sup> / <sub>8</sub>	

#### BTU LISTING

DRSQ34NI / 15,000  
DRSQ34NI-2 / 18,000  
DRSQ34LI / 14,000  
DRSQ34LI-2 / 16,500

DRSQ38NI / 20,500  
DRSQ38NI-2 / 24,000  
DRSQ38LI / 16,500  
DRSQ38LI-2 / 19,500

#### EFFICIENCY P.4. 1-15

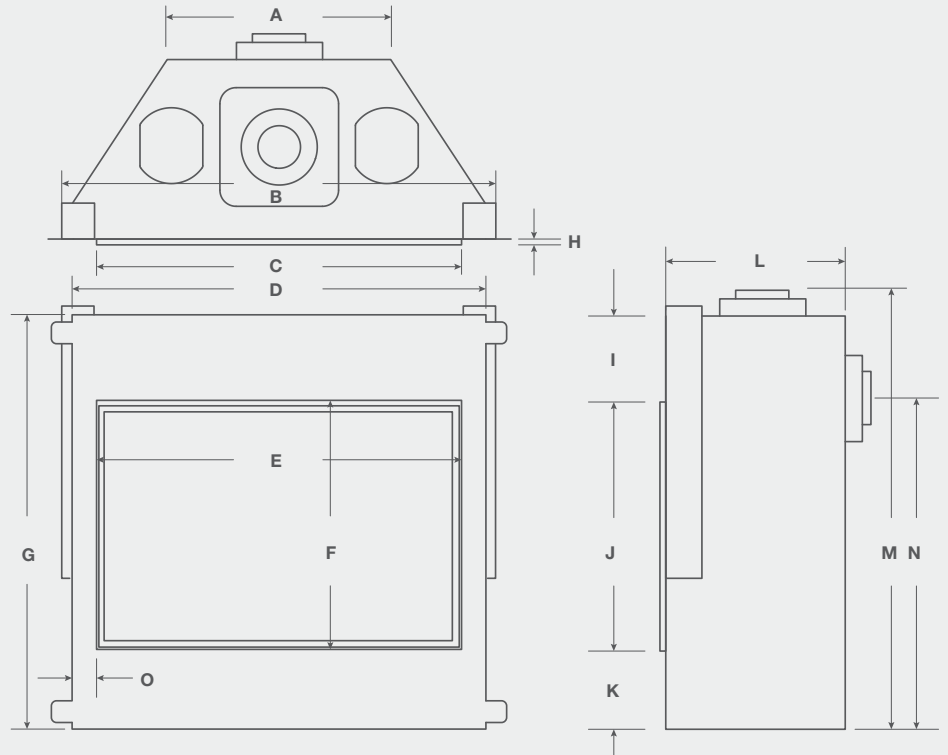
DRSQ34NI / 67.1%  
DRSQ34NI-2 / 65.7%  
DRSQ34LI / 65.4%  
DRSQ34LI-2 / 65.7%

DRSQ38NI / 63.4%  
DRSQ38NI-2 / 65%  
DRSQ38LI / 61.8%  
DRSQ38LI-2 / 61.5%

<sup>A</sup> Standard on DRSQ3\*NI-2  
<sup>†</sup> Optional on DRSQ3\*NI-2 only  
<sup>‡</sup> Full load units only



## DELRAY SQUARE DIMENSIONS



	A	B	C	D	E	F	G	H	I	J	K	L	M	N	O
DRSQ34	16 $\frac{5}{8}$	35 $\frac{1}{16}$	29 $\frac{3}{4}$	34	29 $\frac{1}{16}$	18 $\frac{7}{8}$	32 $\frac{1}{2}$	$\frac{1}{2}$	8 $\frac{3}{4}$	18 $\frac{1}{16}$	5 $\frac{3}{4}$	16 $\frac{1}{2}$	34 $\frac{1}{2}$	25 $\frac{1}{16}$	2 $\frac{1}{8}$
DRSQ38	20 $\frac{3}{4}$	39 $\frac{1}{16}$	33 $\frac{3}{4}$	38	33 $\frac{1}{16}$	22 $\frac{7}{8}$	38	$\frac{1}{2}$	8 $\frac{3}{4}$	22 $\frac{1}{16}$	7 $\frac{1}{4}$	16 $\frac{1}{2}$	40 $\frac{5}{16}$	30 $\frac{1}{2}$	2 $\frac{1}{8}$



DELRAY / SQUARE / DRSQ34NI-2 / SPLIT OAK LOGSET / RED BRICK



DELRAY / SQUARE / DRSQ34NI-2 / DRIFTWOOD

OPTIONS & FEATURES



REMOTE<sup>A†</sup>  
RX200\*\*



WALL REMOTE<sup>†</sup>  
EC1550



WIFI PHONE APP  
CONTROL<sup>†</sup>  
SIT-WIFI



DOWNLIGHTING<sup>A</sup>



TRADITIONAL  
LOGETS  
LGS\*\*3\*



CONTEMPORARY  
SCENES  
CS\*3\*



TRIM KIT  
DRSQT\*\*.\*

LINERS



GREY  
HERRINGBONE  
DRSQBK3\*GH



GREY  
LEDGESTONE  
DRSQBK3\*GL



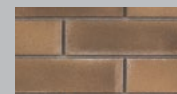
ASH FLUTED  
DRSQBK3\*AF



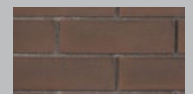
BLACK GLASS  
RBGDRSQ3\*



VINTAGE BRICK  
DRSQBK3\*VB



TAN BRICK  
DRSQBK3\*TB



RED BRICK  
DRSQBK3\*RB

# Unit Specifications

## ICON LEGEND

AVAILABLE	+	NOT AVAILABLE	-
DEDICATED	◊	STANDARD	◦

	BTU NATURAL GAS	BTU LIQUID PROPANE	NG EFFICIENCY	LP EFFICIENCY	VENTING	CLEARANCE TOP - TOP VENT	CLEARANCE REAR - TOP VENT	CLEARANCE SIDES	CLEARANCE BACK	CLEARANCE FLOOR	CLEARANCE MANTEL	FRONT VIEWING AREA	FRONT GLASS TYPE	STANDARD MEDIA	MICRO MESH SAFETY SCREEN	POWERVENT	REMOTE CONTROL	FANS	UPLIGHTING	DOWNLIGHTING
DRSQ34*1-2	18,000	16,000	65.7%	65.7%	4"/7"	21	17	0	1½	0	9	29 <sup>11</sup> / <sub>16</sub> X 18%	HIGH TEMPERATURE	N/A	◦	+	◦	◦	-	◦
DRSQ34*1	15,500	14,000	67.1%	65.4%	4"/7"	21	17	0	1½	0	9	29 <sup>11</sup> / <sub>16</sub> X 18%	HIGH TEMPERATURE	N/A	+	+	+	+	-	-
DRSQ38*1-2	24,000	19,500	65%	61.5%	5"/8" <sup>Δ</sup>	21	17	0	1½	0	6	33 <sup>11</sup> / <sub>16</sub> X 22%	HIGH TEMPERATURE	N/A	◦	+	◦	◦	-	◦
DRSQ38*1	20,500	16,500	63.4%	61.8%	5"/8" <sup>Δ</sup>	21	17	0	1½	0	6	33 <sup>11</sup> / <sub>16</sub> X 22%	HIGH TEMPERATURE	N/A	+	+	+	+	-	-
DRSQ42*1-2	32,500	27,000	63.1%	63%	5"/8"	28	28	½	1½	0	10	37 <sup>11</sup> / <sub>16</sub> X 26%	HIGH TEMPERATURE	N/A	◦	+	◦	◦	-	◦
DRSQ42*1	32,500	27,000	63.1%	63%	5"/8"	28	28	½	1½	0	10	37 <sup>11</sup> / <sub>16</sub> X 26%	HIGH TEMPERATURE	N/A	+	+	+	+	-	-
DRSQ46*1-2	40,000	34,000	64.1%	64.7%	5"/8"	35	35	½	1	0	10	41 <sup>11</sup> / <sub>16</sub> X 30%	HIGH TEMPERATURE	N/A	◦	+	◦	◦	-	◦
DRSQ46*1	40,000	34,000	64.1%	64.7%	5"/8"	35	35	½	1	0	10	41 <sup>11</sup> / <sub>16</sub> X 30%	HIGH TEMPERATURE	N/A	+	+	+	+	-	-

ΔCan be reduced to 4"7"

## DELRAY SQUARE FRAMING (MINIMUM DIMENSIONS)

	A*	B	C	D	E	F	G
DRSQ34	49	40½	18	36	52 <sup>2</sup> / <sub>16</sub>	37 <sup>1</sup> / <sub>16</sub>	1
DRSQ38	62½	44 <sup>7</sup> / <sub>16</sub>	18	40 <sup>3</sup> / <sub>16</sub>	59¼	41 <sup>7</sup> / <sub>8</sub>	2
DRSQ42	72	51	21	45	62 <sup>2</sup> / <sub>16</sub>	44 <sup>1</sup> / <sub>8</sub>	1
DRSQ46	84	55	22	49	67 <sup>3</sup> / <sub>8</sub>	47 <sup>5</sup> / <sub>8</sub>	1

\* Some venting configurations that require more vertical rise will require a larger enclosure to provide minimum vertical clearance between vent pipes and combustibles

Header must be on edge to meet clearance to venting

