

# Portrait

---

ZERO CLEARANCE + INSERT SERIES



FROM CLASSIC TO CONTEMPORARY.

**valor**<sup>®</sup>  
FIREPLACES

# Why Choose

---

## Feel the heat.

All our gas fireplace radiate heat. Like feeling the sun on your skin. The best kind of heat there is.

## Works quietly.

We designed our gas fireplaces to move the heated air via natural convection—no need for a noisy blower.

## Heater-rated

We're rated with space heaters so we put Radiant Heat Technology into every fire. You can feel it.

## Stainless Steel burner

Our precision stainless steel burners don't rust, and create an enhanced flame and ember glow that produces radiant heat.

## Efficiency

Valor fireplaces are heater-rated. Our Radiant Zone Heating is up to 25% more efficient than central forced air systems.

ON COVER:

WINDSOR ARCH INSERT 539AFBV2  
COAL + RED BRICK LINER 530CSK

# A Valor?

---

## Improving heat

Our exclusive *Secondary Heat Exchanger* and our aerodynamic firebox naturally improve convective heat—without a fan.

---

## Ceramic glass window

Valor's durable and robust ceramic glass window improves radiant performance by absorbing and distributing radiant heat.

---

## No power?

No problem. All Valor gas fireplaces run on 4 AA batteries as the primary source of power—not as back-up power like other brands. And you'll save money on your electrical bill.

---

## Outdoor-friendly.

Most Valor gas fireplaces are rated for outdoors under a covered patio and use quality materials that exceed the requirements for outdoor use.

---

## Logs provide heat.

High definition, low mass fiber ceramic logs heat up and glow quickly. We harness the radiating heat from our logs, just like real logs.

---

## Built to last.

Our aluminized steel fireboxes handle high temperatures, delivering efficient radiant warmth. Our baked-on powder-coated paint offers a better texture and a more durable finish.

---

## Safety

We put our fires through rigorous safety testing in our in-house CSA approved lab. We provide a screen with every fireplace to keep you and your loved ones safe.

---

## Design your own.

Visit the Valor Fireplace Design Center to design your very own Valor Fireplace today.



To find out more, visit [valorfireplaces.com/why-valor](http://valorfireplaces.com/why-valor)

# Fire Beds



We designed these expertly crafted logs, rocks and coals as realistic-looking as possible, and engineered them to harness radiant heat from the flames and glowing embers.

A reversible liner—Red Brick or Fluted Black—is included with the Traditional logs and Coal, while

the Driftwood and Rocks feature a Fluted Black liner.

The optional Reflective Glass liner looks great with any of the fire beds.

Visit your local Valor dealer to see a fire; or for a video go to [valorfireplaces.com](http://valorfireplaces.com)

## TRADITIONAL LOGS + RED BRICK





CLEARVIEW VINTAGE IRON +  
BACKING PLATE 545CFVZC  
DRIFTWOOD 530DWK  
REFLECTIVE GLASS LINER 580RGL

**DRIFTWOOD +  
OPTIONAL REFLECTIVE GLASS**



**ROCKS +  
OPTIONAL REFLECTIVE GLASS**



**COAL + FLUTED BLACK LINER**



# Arched fronts



**CLASSIC ARCH WITH BACKING PLATE 550CPAV2  
COAL + BLACK FLUTED LINER 530CSK**

Arched fronts never go out of style. The detailed design set in durable cast iron with either a chrome or powder-coated black finish creates a feature in any room—standing the test of time in craftsmanship and design.

## **CLASSIC ARCH**

The Art Deco style of Classic Arch features brushed nickel highlights over a black finish. The Classic Arch's square cast iron back plate (pictured) provides a seamless transition to your surround.

## **BRUSHED NICKEL**





**WINDSOR ARCH WITH BACKING PLATE 539AFPV2  
COAL + BLACK FLUTED LINER 530CSK**

**CHROME HIGHLIGHTS**



**BLACK CAST**

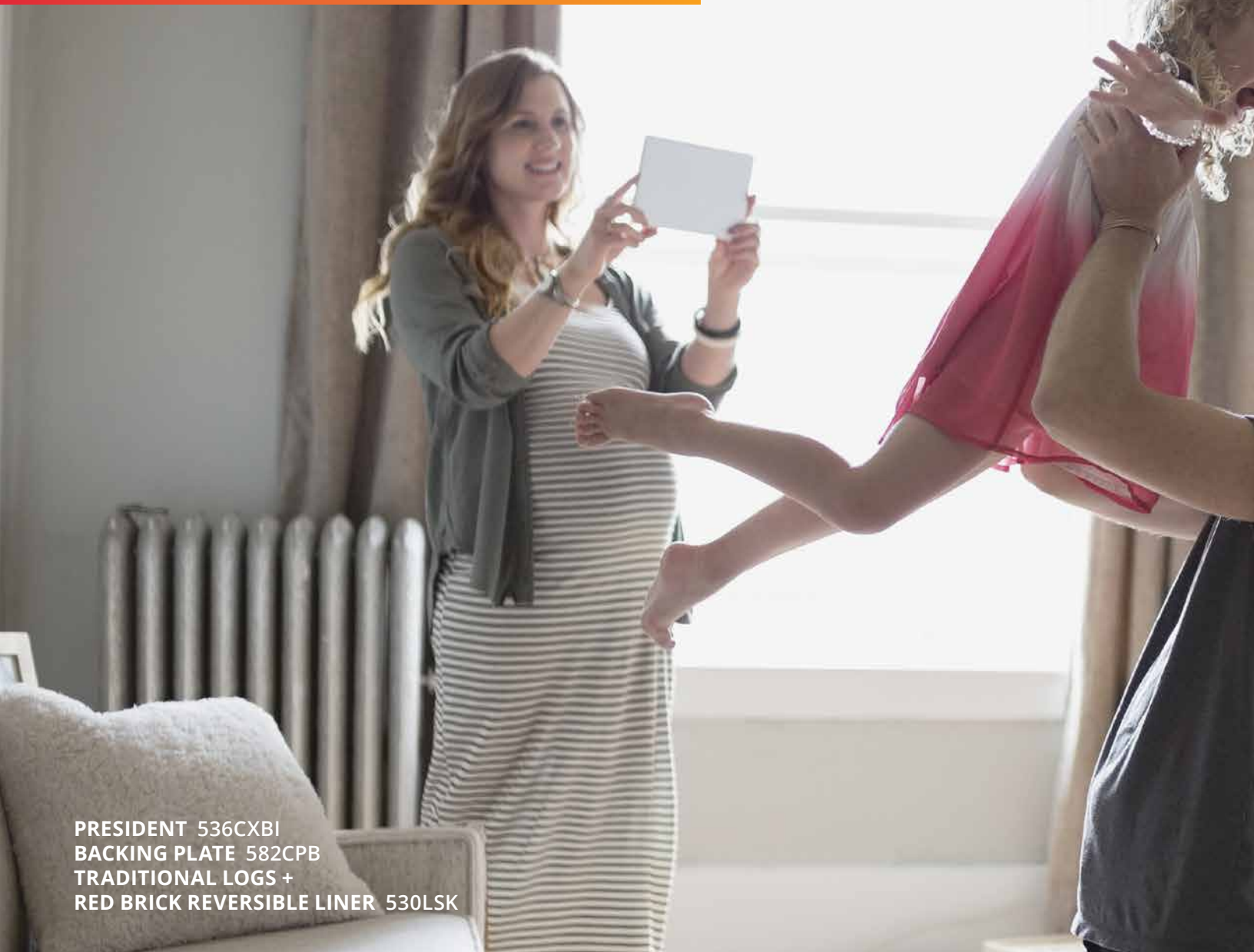


**WINDSOR ARCH**

The Victorian castings features a black finish—with or without chrome highlights.

A square outer plate is part of the zero clearance model (see right). An optional arched backing plate is available for arch inserts. Ask your Valor dealer for details.

# Traditional fronts



PRESIDENT 536CXBI  
BACKING PLATE 582CPB  
TRADITIONAL LOGS +  
RED BRICK REVERSIBLE LINER 530LSK

These cast iron fronts look great in traditional and contemporary settings and include an optional closure plate for ZCs or a required framing plate for inserts. The plates provide an attractive transition to existing stone and mantel work.



## ◀ PRESIDENT

Beautiful attention to detail is apparent as flames reflect off the cast contours and immaculate detailing, radiating warmth.

Also available as a freestanding stove.



#### ◀ SENATOR

Highlighting the fine art of the quality cast iron design, the Senator fits comfortably in both well-appointed and understated settings.



# Modern fronts



CLEARVIEW 545CFVZC  
TRADITIONAL LOGS +  
RED BRICK REVERSIBLE LINER 530LSK

**CLEARVIEW**



**LEDGEVIEW**



The small footprint of these modern fronts makes them ideal for intimate home spaces. Powder-coated, Portrait fronts finishes are made to last.



BUILD YOUR  
OWN PORTRAIT  
ON OUR DESIGN CENTER.



# Finishes

LEDGEVIEW BLACK INSERT +  
BACKING PLATE 546LFN  
ROCKS 530RSK  
REFLECTIVE GLASS LINER 580RGL



VINTAGE IRON



CHROME HIGHLIGHTS



All our rich, durable finishes are powder-coated or plated for a longlasting finish. If available, ask your dealer to see an example in person as colors may appear different in various lights. To see examples online, go to [valorfireplaces.com/media](http://valorfireplaces.com/media)



**CAST IRON**



**BRUSHED NICKEL**



**POLISHED CAST IRON**



# Remote



SENATOR 563SCB  
COAL + RED BRICK/FLUTED BLACK  
REVERSIBLE LINER 530CSK

## VALOR REMOTE—STANDARD

Every Valor includes a remote. Your remote lets you select, adjust or program your desired temperature—the fire automatically adjusts to maintain the temperature of the room. Your remote even allows you to turn your pilot light on or off from the comfort of your sofa.



## VALOR WALL SWITCH— OPTIONAL

Can't find your remote? The optional wall switch, 1265WSK, allows you to do basic functions, such as turn the fire on and off, and adjust the flames up and down.

Find out more at [valorfireplaces.com/remotes](http://valorfireplaces.com/remotes)



# Efficiency

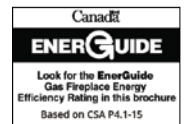
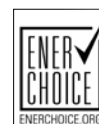
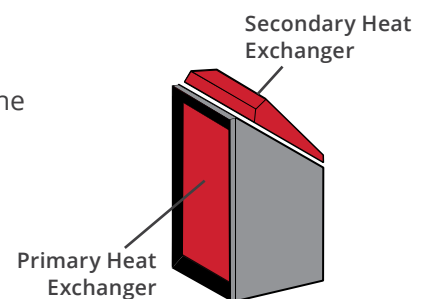


## SECONDARY HEAT EXCHANGER

The built-in Secondary Heat Exchanger naturally improves convective heat—removing the need for a fan. Your fire will heat up fast for immediate comfort—and with no need for electricity, you'll save money. To find out more, visit [valorfireplaces.com/efficiency](http://valorfireplaces.com/efficiency)

BTU/HR MODEL	FUEL	MAX. INPUT	MIN. INPUT	MAX. OUTPUT*	ENERGUIDE*
530IN	NG	20,500	6,500	15,117	70%
530IP	LPG	19,000	12,500	14,476	70%
530INI	NG	20,500	6,500	13,223	64%
530IPI	LPG	19,000	12,500	13,100	66%

\* EnerGuide Ratings and Outputs have been determined without a fan/blower, using the CSA P4.1-15 test method. Certified to ANSI Z21.88 / CSA 2.33 Vented Gas Fireplace Heater American National Standard. CGA - 2.17-91 Gas Fired Appliances for use at High Altitudes



# ZERO CLEARANCE (ZC)



The Windsor and Classic Arch ZC fronts have a built-in outer plate and can also be used as inserts.\*

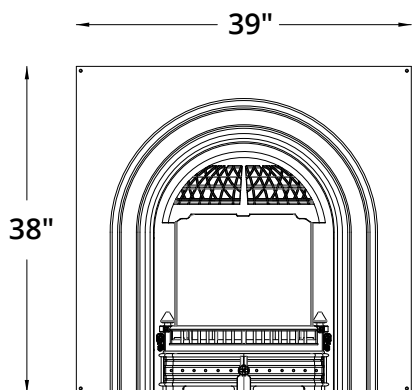


The President, Senator and Bolero ZC fronts include a framing plate (shown).

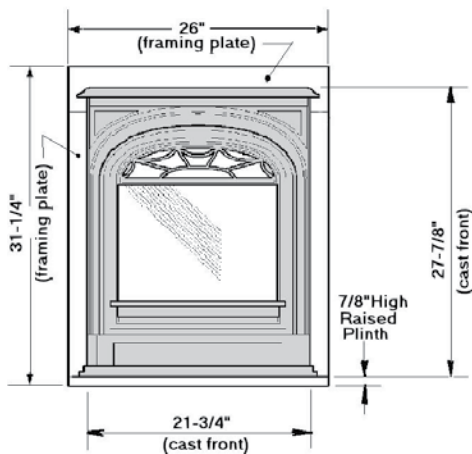


The Clearview and Ledgeview ZC fronts include a backing plate, while the Ledge has an optional backing plate.

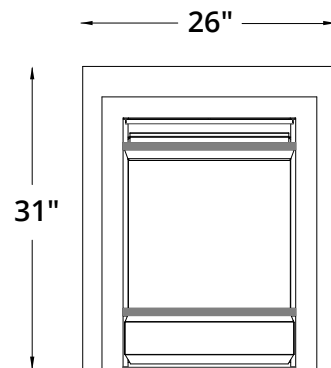
**WINDSOR ARCH ZC**



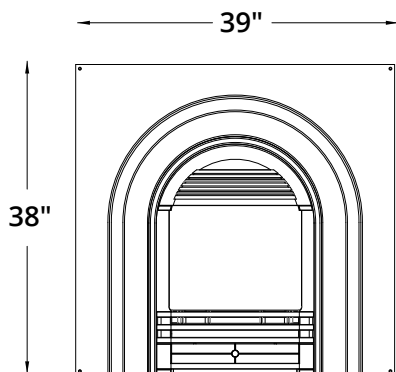
**PRESIDENT ZC**



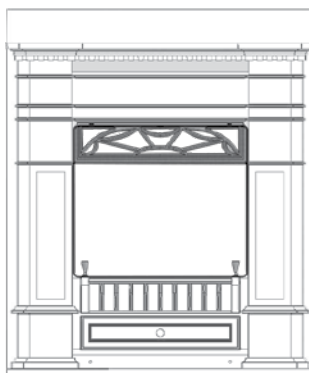
**CLEARVIEW ZC**



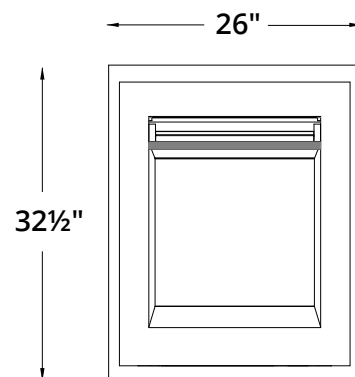
**CLASSIC ARCH ZC**



**SENATOR**



**LEDGEVIEW**



\* To use as insert, please contact your local dealer for more information.

# INSERTS (IN)



An optional arched backing plate is available for the Windsor Arch insert fronts. Inserts can be converted to ZC.\*\*

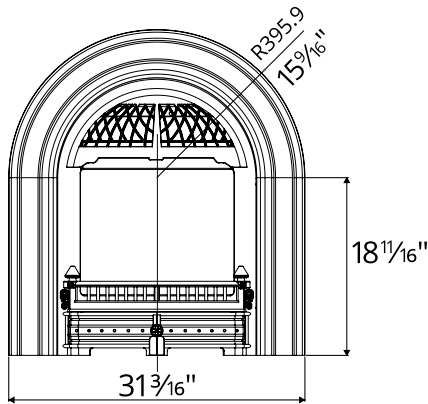


The President, Senator and Bolero insert fronts have recommended closure plates (not shown).

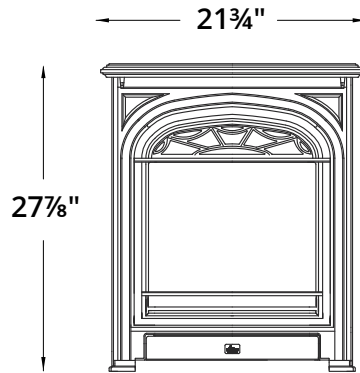


The Clearview and Ledgeview Insert fronts include backing plates. See below:

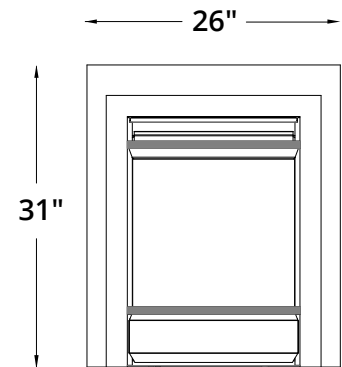
## WINDSOR ARCH



## PRESIDENT

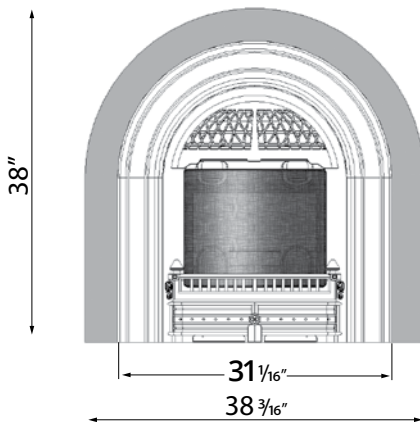


## CLEARVIEW

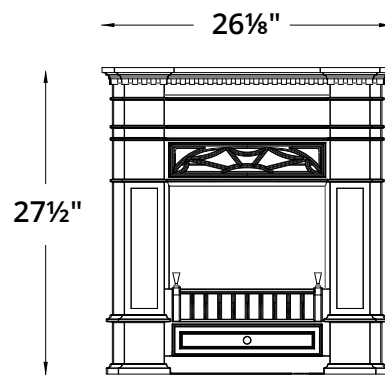


## CLASSIC ARCH

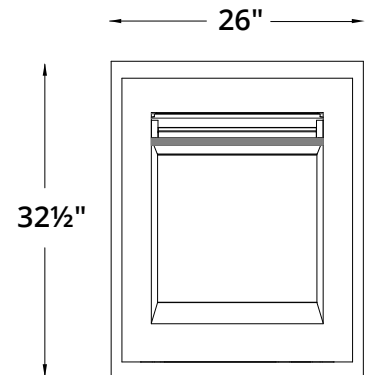
(optional arched backing plate shown)



## SENATOR



## LEDGEVIEW



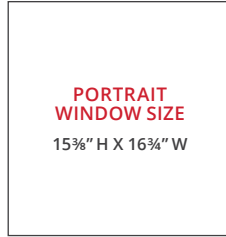
\*\* To use as ZC, please contact your local dealer for more information about the 549ZCK conversion kit.

# DIMENSIONS

## ZC FRAMING

	H	W	D
President	38"	26¼"	11"
Senator	38"	26¼"	11"
Windsor Arch	37"	26¼"	13⅞"
Classic Arch	37"	26¼"	13⅞"
Clearview	32"	22½"	12¾"
Ledgeview*	32"	22½"	12¾"

Note: Allow for more depth if using a rear vent elbow.



## INSERT MINIMUM CAVITY

	W	D
President	25¼"	9"
Senator	25¼"	9"
Windsor Arch	25¼"	11½"
Classic Arch	25¼"	11½"
Clearview	26½"	11⅜"
Ledgeview*	26½"	11⅜"

\* A Ledgeview front requires that the engine sit a minimum 1½" above the hearth.

Always refer to the manual for complete installation instructions:



ZC

INSTALLATION MANUALS

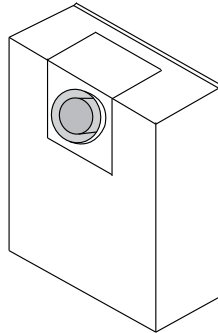


INSERT

## ENGINE OPTIONS:

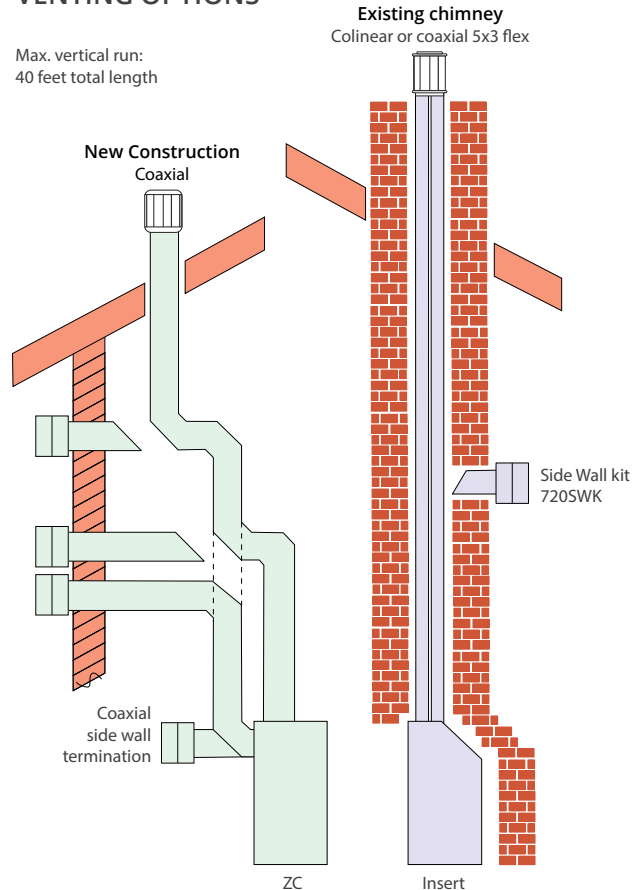
### ZERO CLEARANCE 530IN/530IP

- Coaxial venting ideal for built-in ZC applications.
- Slim engine depth.
- Direct vent coaxial system convertible to colinear for insert applications.
- Engine can be either top or rear vented.
- Improved window latch for ease of service.



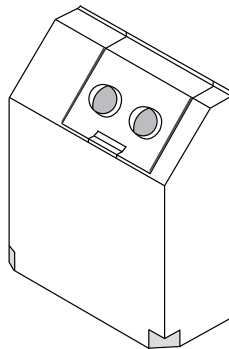
## VENTING OPTIONS

Max. vertical run:  
40 feet total length



### INSERT 530INI/530IPI

- Colinear vent collar plate ideal for inserting into existing solid fuel fireplaces.
- Sloped fire box venting and slim design for fitting difficult chimney cavities.
- Adaptable direct vent colinear flex venting.
- Removable sloped venting collar for ease of install.
- Improved window latch for ease of service.



# COMPONENTS

DIRECT VENT ENGINES	ZC	INSERT
Natural Gas	530IN	530INI
Propane	530IP	530IPI

## FUEL BEDS WITH LINERS

Coal + Red Brick/ Black Fluted reversible liner	530CSK	530CSK
Traditional Logs + Red Brick/Black Fluted reversible liner	530LSK	530LSK
Rocks + Black Fluted liner	530RSK	530RSK
Driftwood + Black Fluted liner	530DWK	530DWK

## FRONT + BACKING PLATES

All ZC fronts include an outer or framing plate except Ledge, which offers an optional ZC backing plate.

FRONT	ZC	INSERT	INSERT BACKING PLATES
Windsor Arch Black ZC	539AFBv2	ZC OK as insert.	
Windsor Arch Chrome ZC	539AFPv2		
Classic Arch Brushed Nickel ZC	550CPAv2		
Windsor Arch Black Insert	Insert OK as ZC*	549AFBV2*	+ Optional Arched Plate 549APB
Windsor Arch Chrome Insert		549AFPV2*	
Clearview Vintage Iron	545CFVZC	545CFV	+ included backing plate; optional 583CPB
Ledgeview Black	546LFBZC	546LFB	+ included backing plate
President	536CXB	536CXB	+ required 3336CP, 582CPB or 583CPB
Senator	563SCB	ZC OK as insert. See manual.	+ required 582CPB or 583CPB

\*To convert 549 insert to ZC, see manual for 549ZCK conversion kit.

## OPTIONAL

Ledge ZC backing plate	570FPB
Reflective Glass liner	580RGL
Traditional Black Cast Iron fret	545TFB
Firebox Grille panel (except with Coals)	567FGP
1 Hour Shut Down Handset	GV60BRK
Non-Thermostat Handset	GV60NTK
Wall Switch	1265WSK
Remote Battery and Wall Switch	RBWSK
Outdoor Conversion Kit	GV60CKO



### ⚠ WARNING

This product can expose you to chemicals including Benzene, which is known to the State of California to cause cancer and birth defects or other reproductive harm.

For more information go to [www.P65Warnings.ca.gov](http://www.P65Warnings.ca.gov)

Note: Natural gas, in its original state, contains Benzene.

valorfireplaces.com



BRPORT25E DEC

**valor**<sup>®</sup>  
FIREPLACES