



LT

TALL LINEAR GAS FIREPLACES

The LT1 + LT2 deliver our most outstanding radiant gas fires yet.

valor
FIREPLACES

Why Choose

Feel the heat.

All our gas fireplace radiate heat. Like feeling the sun on your skin. The best kind of heat there is.

Works quietly.

We designed our gas fireplaces to move the heated air via natural convection—no need for a noisy blower.

Heater-rated

We're rated with space heaters so we put Radiant Heat Technology into every fire. You can feel it.

Stainless Steel burner

Our precision stainless steel burners don't rust, and create an enhanced flame and ember glow that produces radiant heat.

Efficiency

Valor fireplaces are heater-rated. Our Radiant Zone Heating is up to 25% more efficient than central forced air systems.

LT1 ON COVER:

GRAND TRADITIONAL LOGS 2705GTL
GREY BRICK LINER 2785GBL
CLEAN INSTALL KIT 2530CIK

A Valor?

HeatSplit™

Want to share your warmth? HeatSplit lets your share the heat of your Valor fireplace with other rooms in your home.

Ceramic glass window

Valor's durable and robust ceramic glass window improves radiant performance by absorbing and distributing radiant heat.

No power?

No problem. All Valor gas fireplaces run on 4 AA batteries as the primary source of power—not as back-up power like other brands. And you'll save money on your electrical bill.

Outdoor-friendly.

All Valor gas fireplaces are rated for outdoors under a covered patio and use quality materials that exceed the requirements for outdoor use.

Logs provide heat.

High definition, low mass fiber ceramic logs heat up and glow quickly. We harness the radiating heat from our logs, just like real logs.

Built to last.

Our aluminized steel fireboxes handle high temperatures, delivering efficient radiant warmth. Our baked-on powder-coated paint offers a better texture and a more durable finish.

Safety

We put our fires through rigorous safety testing in our in-house CSA approved lab. We provide a screen with every fireplace to keep you and your loved ones safe.

Design your own.

Visit the Valor Fireplace Design Center to design your very own Valor Fireplace today.



To find out more, visit valorfireplaces.com/why-valor

FIRE BEDS

LT2
GRAND TRADITIONAL LOGS 2705GTL
PLAIN BLACK LINER 2760PBL
CLEAN INSTALL KIT 2730CIK
HEATSHIFT (NOT SHOWN)

***NEW** LT1 GRAND TRADITIONAL LOGS



LT1 SPLITWOOD

LT1 BIRCH



LT1 DRIFTWOOD



***NEW** LT2 GRAND TRADITIONAL LOGS



LT2 SPLITWOOD





DESIGN YOUR FIREPLACE ON
VALOR'S DESIGN CENTER:



LT2 BIRCH



ROCK AND SHALE (ALSO AVAILABLE ON LT1)



LT2 DRIFTWOOD



LT2 MURANO GLASS (ALSO AVAILABLE ON LT1)



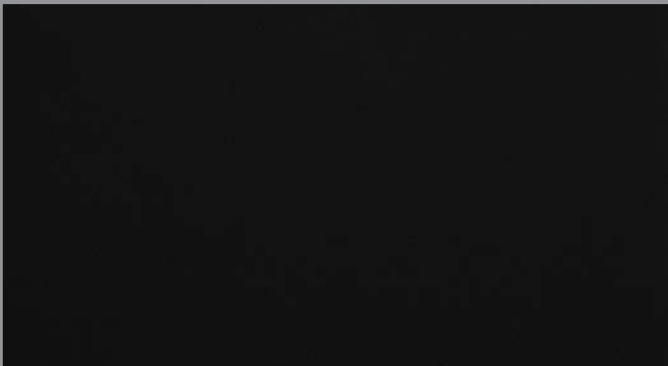
LINERS



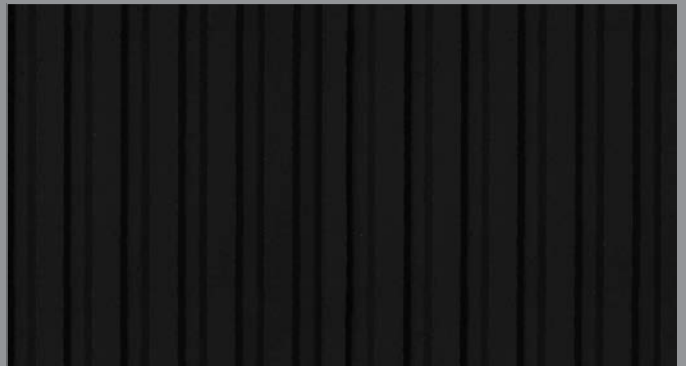
LT1
SPLITWOOD 1505SWKV2
FLUTED BLACK LINER 2515FBL
1" ADJUSTABLE FINISHING TRIM 2575LFB
HEATSHIFT (not shown)

Liners enhance the aesthetic, and produce radiant heat.

PLAIN BLACK



FLUTED BLACK





REFLECTIVE GLASS



NEW GREY BRICK



FRONTS

CLEAN INSTALL KIT 2530CIK (shown) or 2730CIK



Enjoy a bright fireplace all year long with the LTs' overhead lighting feature—with the fire on or off. Looks great in the summer!

1" ADJUSTABLE FINISHING TRIM
2575LFB (shown) or 2775LFB

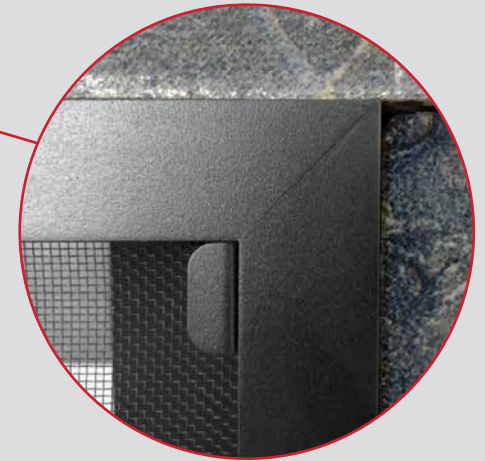


Finish right up to the edge.



Sits flush with wall and fireplace screen.

Covers rough wall edges.



Fireplace screen frame sits proud of wall.

The LT1 and LT2 offer two types of framing: the Clean Install kit and the 1" Adjustable Trim. Ask your Valor dealer which trim will work best with your renovation.

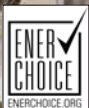
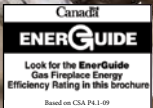
CLEAN INSTALL KIT

The Clean Install kits lets you to tile or finish right up to a clean edge of the fireplace. The fireplace screen frame sits inside the edge and flush with the CIK and wall.

1" ADJUSTABLE TRIM

This trim covers 1" of your wall finish and is adjustable to accommodate various depths of finishes. The fireplace screen frame sits proud of the trim and wall.

EFFICIENCY



LT2
SPLITWOOD 1705SWKV2
REFLECTIVE GLASS LINER 2725RGL
1" ADJUSTABLE FINISHING TRIM 2775LFB
HEATSHIFT (not shown)

At Valor we use recognized Canadian and US government testing methods to determine our energy efficiencies, and ensure our products perform in your home as rated. All our fireplaces are available as natural gas or propane.

MODEL	FUEL	LOW	HIGH	MAX OUTPUT	ENERGUIDE
LT1	NP	20000	34000	24446	70%
	LP				
LT2	NP	22000	39000	28025	68%
	LP	20000			

* EnerGuide ratings and outputs have been determined without a fan/blower, using the CSA P.4.1-15 test method. Certified to ANSI Z21.88/CSA 2.33 Vented Gas Fireplace Heater American National Standard. CGA-2.17-91 Gas Fired Appliances for use at High Altitudes.

HEATSHIFT



LT1
BIRCH 1505BLKV2
REFLECTIVE LINER 2525RGL
CLEAN INSTALL KIT 2530CIK
HEATSHIFT LDK1 + LDK2

KEEPS WALL COOLER

Pioneered by Valor, our unique HeatShift System naturally circulates up to 125 cubic feet of convective heat per minute through hidden ducts and back into the room—avoiding surface areas above the fireplace.

DESIGN FLEXIBILITY

Run standard finishing materials right up to the fireplace surround, including drywall, wood, tile and stone. Install mantels lower than usual at a one-to-one ratio of depth to height from the fireplace surround.

IMPROVES PERFORMANCE

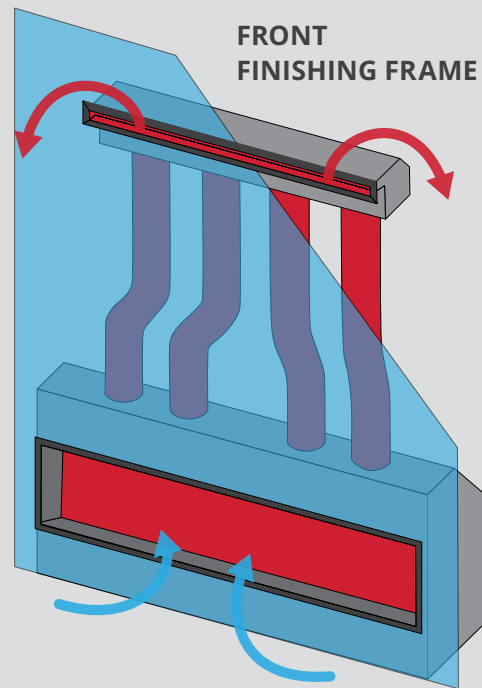
Harnessing convective warmth, up to 60% of fireplace heat rises and flows through HeatShift and back into the room. The remaining radiant heat emanates from the fireplace, keeping you warm.

HEATSHIFT IS REQUIRED WITH THE LT1 AND LT2

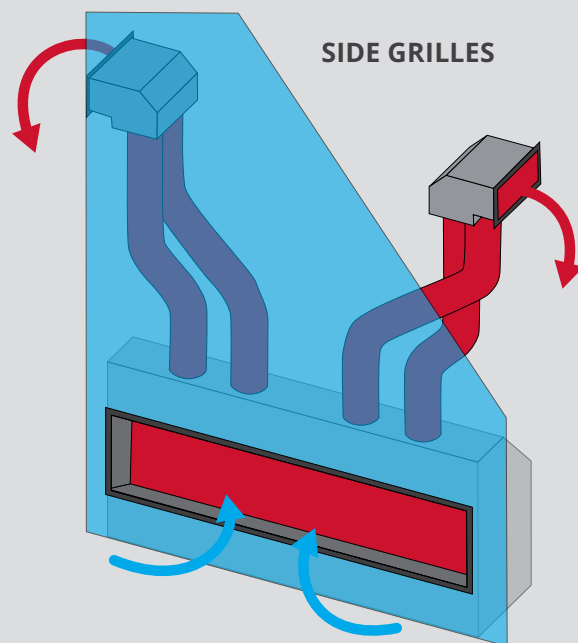
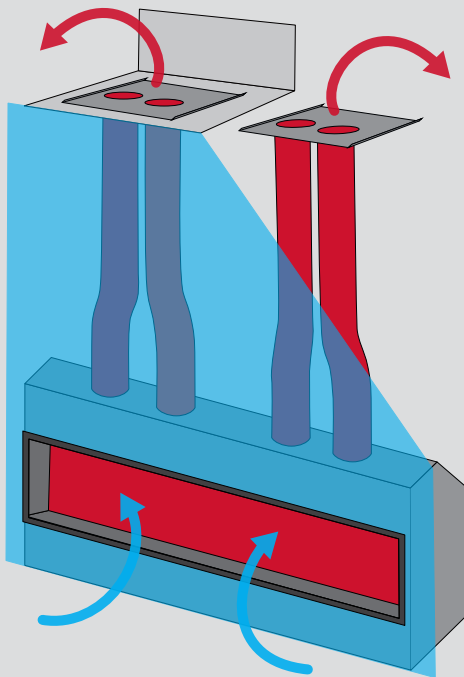
Choose from three HeatShift options, including front, side and top (hidden) outlet positions:

- The front finishing frame comes in three lengths: 30", 38" and 48".
- The side grilles offers a redirect of the heat to different areas of the room.
- The valance is discretely hidden near the top of the wall—architectural in style.

Whatever your choice, we have a HeatShift solution for you.



TOP HIDDEN VALANCE



NO ELECTRICITY REQUIRED

Heatshift circulates heat naturally using gravity and Valor product ingenuity—no need for a fan or electricity. No power—not a problem for a Valor.

CONSTRUCTION MADE EASY

Unlike many competing products, Valor fully ducts HeatShift for clean, safe air quality. HeatShift is built and designed in North America for North American homes, meeting building code requirements.

Find out more online:



VALOR 10 REMOTE

Set the timer to turn the fireplace off up to 9 hours ahead.

Program your fireplace to turn on and off when you want at the temperature you want.



The Remote Battery and Wall Switch kit comes standard with all Valor 10 remotes. The kit lets you control your fireplace and gives you easy wall access to your fireplace's receiver batteries.



Set the temperature for specific times of the day.

Accurately knows the current temperature of your room.

Child Proof your remote for safety and ease.

Learn more about our remotes:

Standard with the LT1 and LT2, the Valor 10 interactive remote control has up-to-the-moment information on the state of your fireplace—such as temperature and other customizable settings. To find out more, go to valorfireplaces.com/remote



VALOR 10 APP

TAKE COMPLETE CONTROL

Increase or decrease flame height to find the perfect ambiance. Use the color wheel to find the ideal temperature setting.



PROGRAM ON THE GO

Program days, times and temperature settings to match your lifestyle. Set a countdown timer so your fireplace shuts off automatically.

CONTROL LIGHTING

You can adjust the fireplace lighting too.

SAVE ON ENERGY COSTS

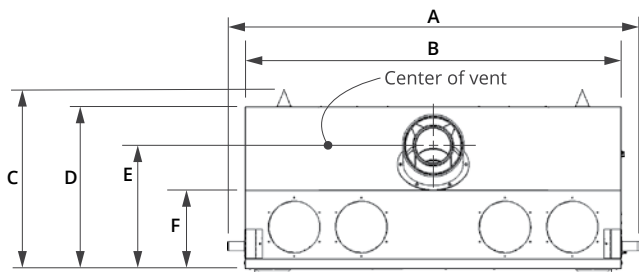
Save energy while enjoying a changing, realistic flame with ECO mode. Choose time and the percentage of energy saved is shown in the circle/leaf.

The Valor 10 remote pairs with the Valor 10 App so you can control your fireplace with your smartphone. To find out more, go to valorfireplaces.com/valor10



DIMENSIONS

ALWAYS REFER TO THE INSTALLATION MANUAL FOR COMPLETE INSTRUCTIONS.



TOP VIEW

	LT1	LT2
A	45 ¹¹ / ₁₆ "	57 ³ / ₄ "
B	42"	52"
C	19 ⁷ / ₈ "	20 ⁷ / ₁₆ "
D	18"	18 ¹ / ₂ "
E	15--1/8"	15--5/8"
F	8 ³ / ₄ "	9 ³ / ₁₆ "

LT1



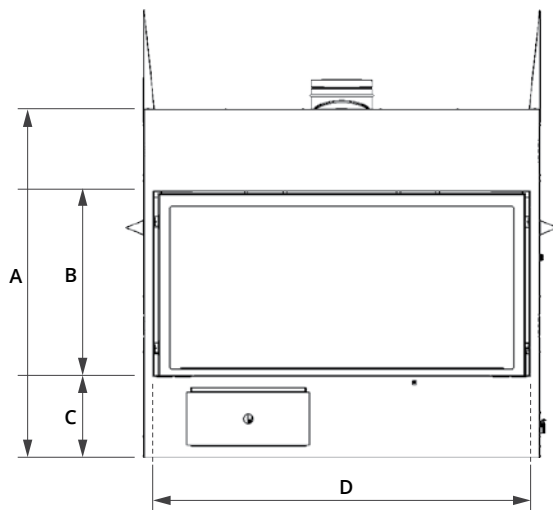
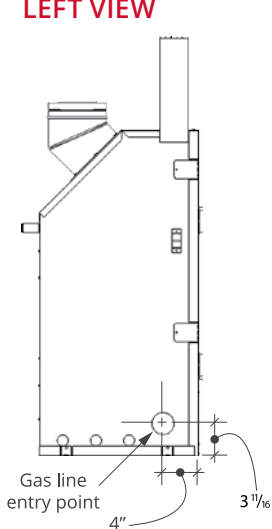
OWNER

INSTALLER



LT2

LEFT VIEW



FRONT VIEW

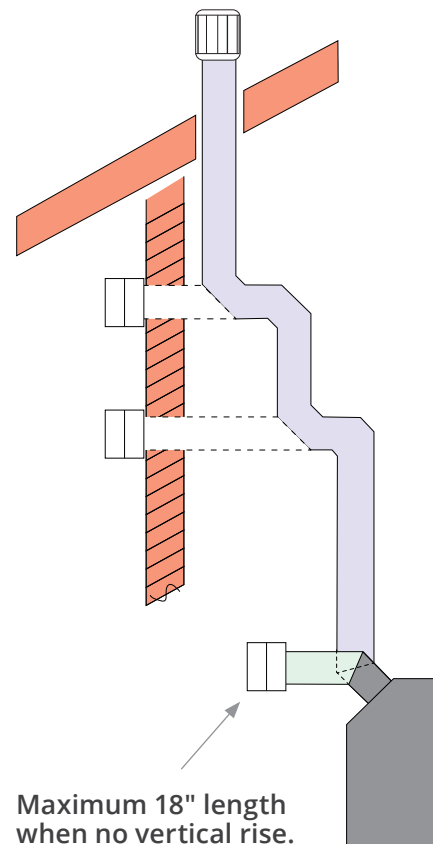
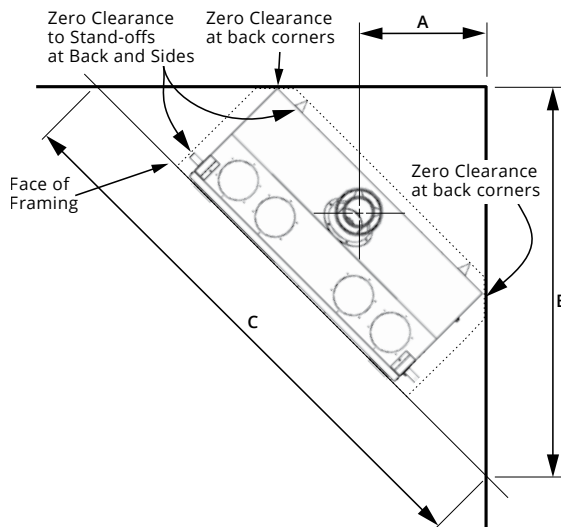
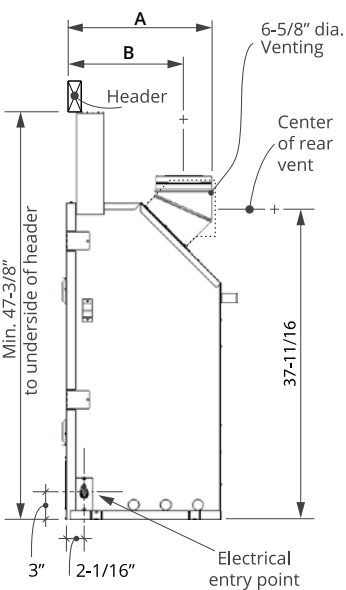
	LT1	LT2
A	36 ¹⁵ / ₁₆ "	36 ¹⁵ / ₁₆ "
B	19 ¹ / ₂ "	19 ⁵ / ₈ "
C	8 ¹ / ₁₆ "	8 ¹ / ₁₆ "
D	39 ¹³ / ₁₆ "	49 ¹³ / ₁₆ "

RIGHT VIEW

	LT1	LT2
A	18 ¹ / ₂ "	18 ⁵ / ₁₆ "
B	15 ¹ / ₈ "	15 ⁵ / ₈ "

CORNER VIEW

	LT1	LT2
A	16 ¹⁵ / ₁₆ "	20 ⁷ / ₁₆ "
B	55 ¹ / ₈ "	62 ¹⁵ / ₁₆ "
C	78"	89"



Maximum 18" length when no vertical rise.

OPTIONS

DIRECT VENT ENGINE

	LT1	LT2
Natural Gas	2500KN	2700KN
Propane	2500KP	2700KP

FIRE BEDS

Grand Traditional logs NEW	2505GTL	2705GTL
Birch	1505BLKV2	1705BLKV2
Splitwood	1505SWKV2	1705SWKV2
Driftwood	1505DWKV2	1705DWKV2
Rock and Shale	1514RSS	1714RSS
Murano Glass	1500DGM	1700DGM

LINERS

Grey Brick NEW	2585GBL	2785GBL
Plain Black	2560PBL	2760PBL
Fluted Black	2515FBL	2715FBL
Reflective Glass	2525RGL	2725RGL

TRIM

Clean Install Kit	2530CIK	2730CIK
1" Adjustable Finishing trim	2575LFB	2775LFB

HEATSHIFT (required)

Included with fireplace	LDK6	✓
Choose from options below:		
48" Plenum + optional white Finishing Frame	LDK1 + LDK2	✓
38" Plenum + optional white Finishing Frame	LDK4 + LDK5	✓
30" Plenum + optional white Finishing Frame	LDK9 + LDK10	✓
14" Plenum (2), including white Grilles	LDK3	✓
Top hidden valance	LDK7	✓

OPTIONAL

WiFi kit	GV60WIFI	✓
Outdoor Conversion Kit	GV60CKO	✓
Colinear Adapter	1156CLA	✓
Remote Blower (LDK1 and LDK4 only)	1270RBK	✓

WARNING

This product can expose you to chemicals including Benzene, which is known to the State of California to cause cancer and birth defects or other reproductive harm.

For more information go to www.P65Warnings.ca.gov

Designed and manufactured by Miles Industries Ltd. 2025
Copyright Miles Industries Ltd. 2025



valorfireplaces.com



LT1
GRAND TRADITIONAL LOGS 2505GTL
GREY BRICK LINER 2585GBL
CLEAN INSTALL KIT 2530CIK
HEATSHIFT LDK4 + LDK5

BRLT1<225E NOV

valor
FIREPLACES